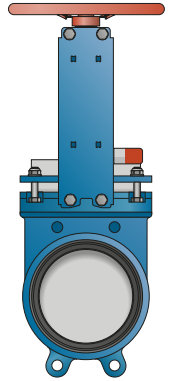
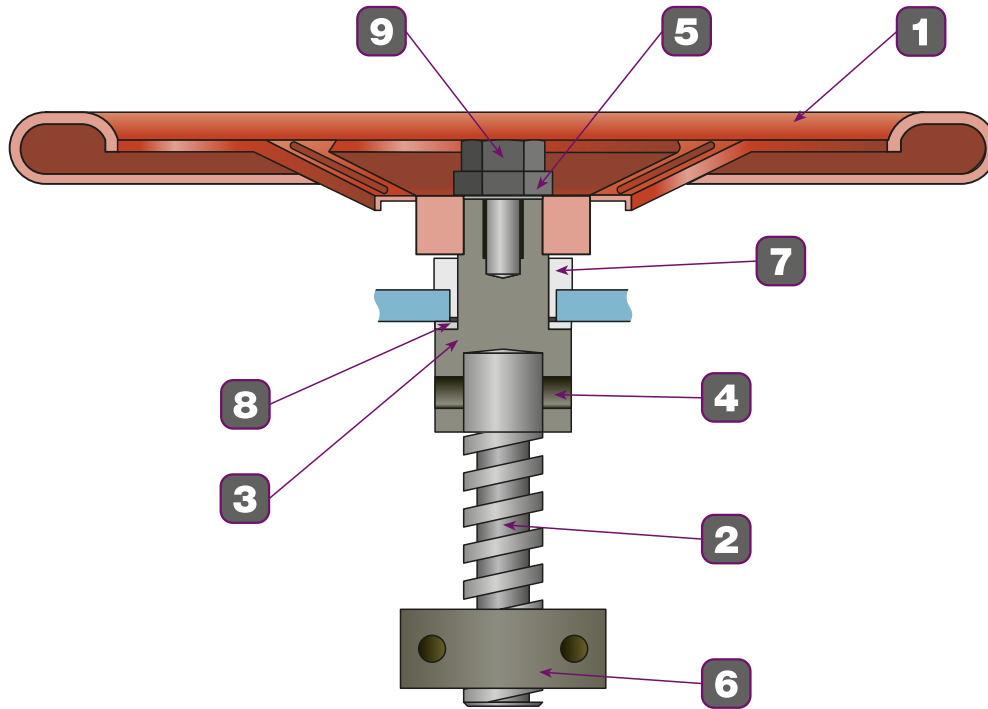


2.2.1. VF

VF. Handwheel with non-rising stem

Manufactured from DN 50 up to DN 500, for any other sizes, please check with our Technical Department.



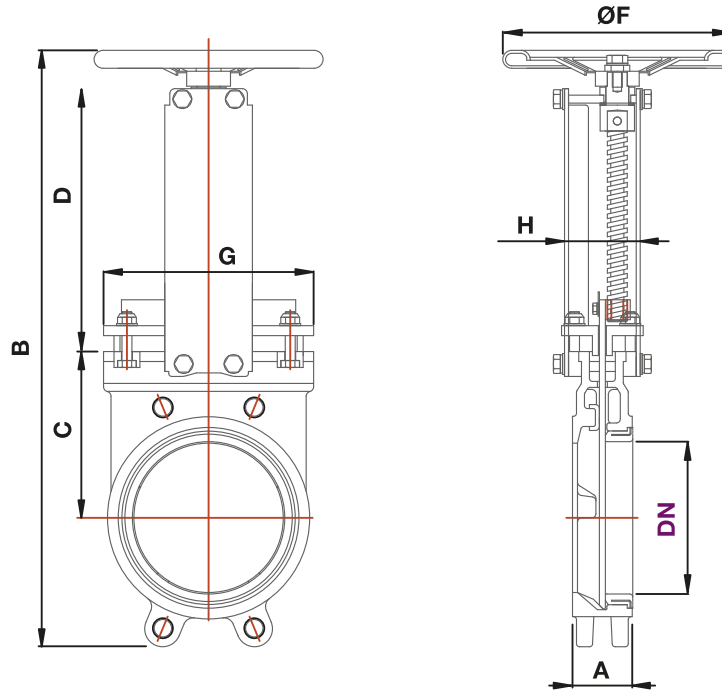
	DESCRIPTION	MATERIAL	U.(units)
1	Handwheel	Steel	1
2	Stem	AISI-303	1
3	Bushing	F-114	1
4	Spring pin	Steel	1
5	Bearing	Steel	1
6	Nut	Bass	1
7	Bearing	Delrin	1
8	Washer	Delrin	1
9	Screw	Steel	1

* Other materials available on request.

The manufacturer reserves the right to make changes without prior notification.

2.2.1. VF

Measurements.



DN	A	B	C	D	E	ØF	G	H	WEIGHT	PN
50	40	412	113	174	65	200	131	76	7	10
65	40	426	113	183	65	200	155	76	7	10
80	50	469	117	197	65	200	168	76	8	10
100	50	519	132	219	65	200	189	76	10	10
125	50	543	151	236	38	250	182	76	13	10
150	60	599	167	264	38	250	211	76	16	10
200	60	736	196	322	60	300	262	96	25	10
250	70	857	228	374	60	300	316	96	30	10
300	70	1,000	274	430	65	300	375	108	45	6
350	96	1,063	308	470	65	400	423	108	66	5
400	100	1,236	362	556	65	500	476	146	105	5
500	110	1,551	473	666	66	500	590	156	179	4

Assembly between Flanges PN10 / DN Nominal diameter / **ØF** Handwheel diameter / **Weight** in Kg.
PN Nominal pressure in bar. / **Measurements** in mm.

The manufacturer reserves the right to make changes without prior notification.